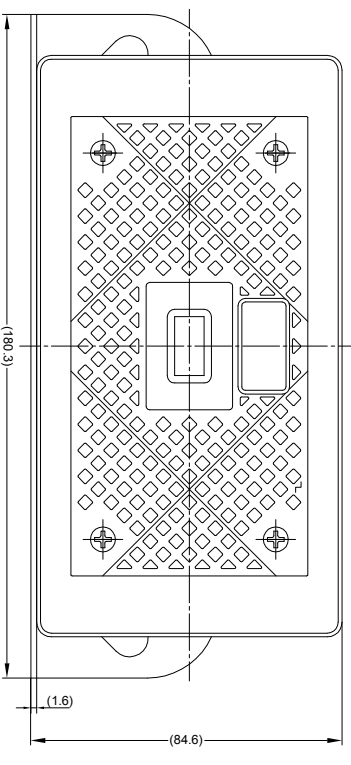
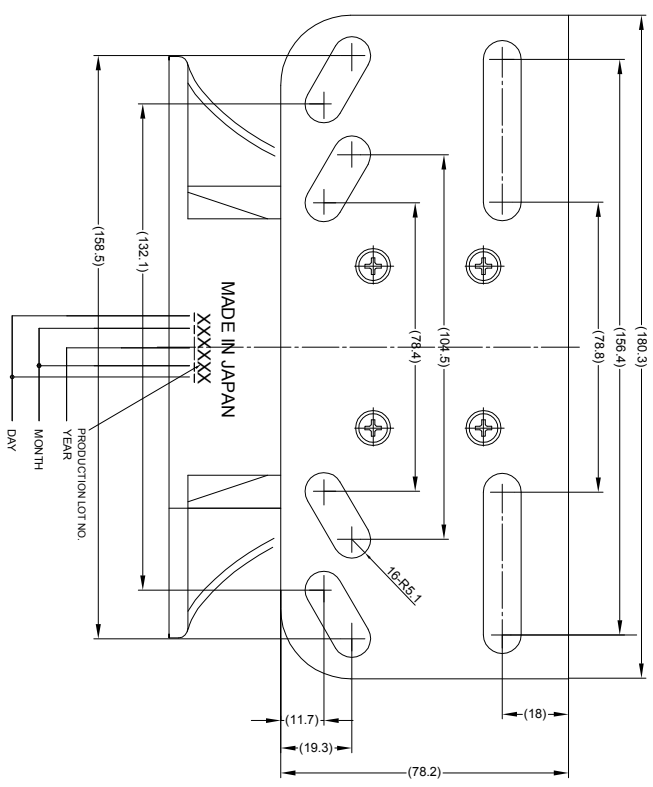
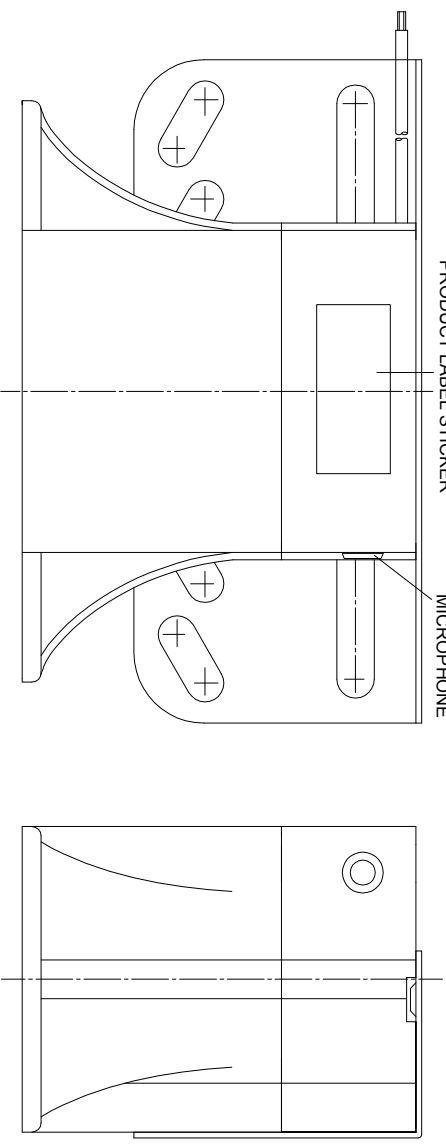
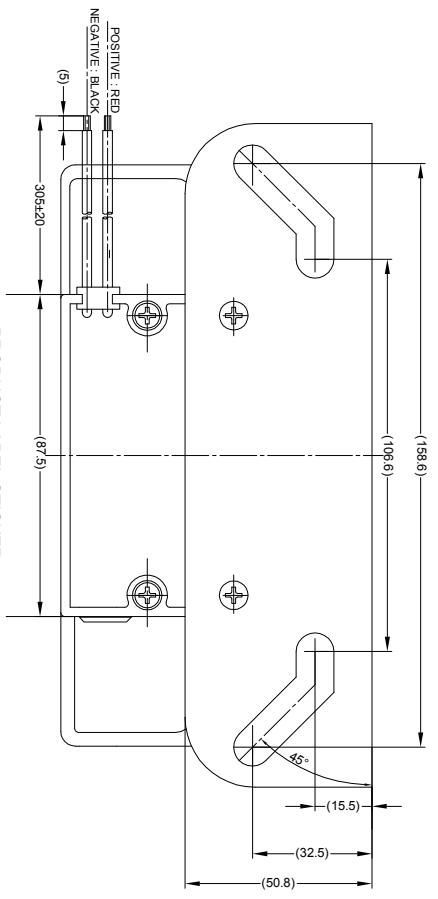


Revision Notes

R1 - CORRECTED DIMENSION FROM 180 ± 10 TO 305 ± 20. REMOVED PRODUCT LABEL DETAILS AND PRODUCT LOT NO.	Drawn: RBATES	Checked: GPLITH	Approved: SMATTHEWS	Date: 21/03/13
APA: KIIDA	Drawn: RBATES	Checked: MBUTLER	Approved: GPLITH	Date: 28/08/14
R2 - NOTES UPDATED TO INCLUDE LABEL DETAILS AS PER IEC CR-A274.				
APA: KIIDA	Drawn: RBATES	Checked: MBUTLER	Approved: GPLITH	Date: 28/08/14

- SPECIFICATIONS:**
1. RATED VOLTAGE: 12/24 VOLTS DIRECT CURRENT (WORKING VOLTAGE RANGE 9-32 VOLTS).
 2. RATED CURRENT: 0.3 AMPERES OR LESS.
 3. SOUND PRESSURE: SELF-ADJUSTING 87 ~ 112±5dB(A) (MINIMUM OF 56dB(A) ABOVE SENSED AMBIENT NOISE), (AS MEASURED AT A DISTANCE OF 1.2 METERS AND AT A HEIGHT OF 1.2 METERS ABOVE THE GROUND)
 4. TONE FREQUENCIES: 1900 ± 200Hz AT TEST VOLTAGE OF 28 VOLTS.
 5. PULSATIONS: 70±10 CYCLES PER MINUTE AT TEST VOLTAGE OF 28 VOLTS.
 6. DURABILITY: CONSECUTIVE 500 HOURS AT TEST VOLTAGE OF 28 VOLTS.
 7. SURGE VOLTAGE: TO BE FREE FROM ABNORMALITY WHEN APPLYING 100V, 100ms PULSES EVERY 5 SECONDS, FOR 1 HOUR AT TEST VOLTAGE OF 28V.
 8. RANGE OF OPERATING TEMP GUARANTEED: -40°C ~ 85°C
 9. OTHERS: MEETS REQUIREMENTS OF SAE J994.



- NOTES:**
1. FOR PRODUCT LABEL REFER TO LATEST REVISION OF DRAWING BE-002833-XX-14.
 2. FOR GIFTBOX LABEL REFER TO LATEST REVISION OF DRAWING BE-002834-XX-14.
 3. "R TRIANGLE" INDICATES CHANGES MADE TO REVISION OF DRAWING AS IDENTIFIED IN REVISION NOTES.



PROPRIETARY NOTICE
 THIS DESIGN AND TECHNICAL INFORMATION APPEARING ON THIS DRAWING IS THE PROPERTY OF BRIGADE ELECTRONICS, AND IS DISCLOSED IN CONFIDENCE. IT IS NOT TO BE COPIED, REPRODUCED, REVEALED TO OR APPROPRIATED BY OTHERS, EITHER IN WHOLE OR IN PART WITHOUT THE EXPRESS WRITTEN CONSENT OF BRIGADE ELECTRONICS.

BRIGADE®
 www.brigade-electronics.com

<p>Angle of Projection</p> <p>Third Angle</p>	Assembly Pl Approval KIIDA	Approved by DKERAL	Checked by DKERAL	Drawn by DKERAL
	Status RELEASED	Units mm	Scale N/A	Released 23/06/04
Part No 1359	SA-801	Assembly Ref -	BE-000414-02-06	

